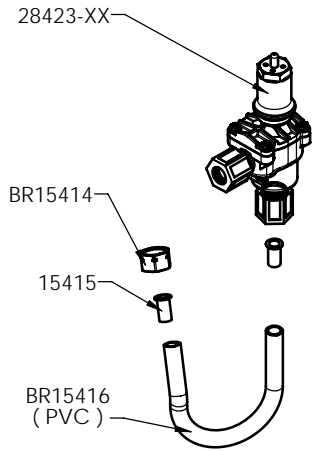


1710 BV = COLD WATER USE ONLY

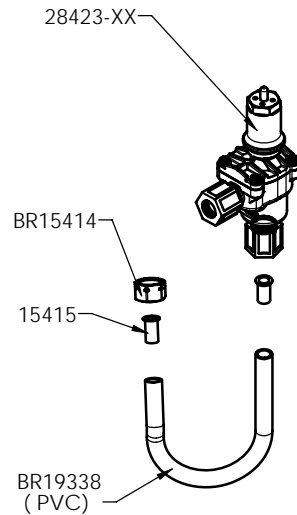
ECN		Rev.		Description		Date (dd/mm/yy)	Approved
F4700	A	CREATION				26/03/08	MP/LD

BU28607-XX 2750 VALVE



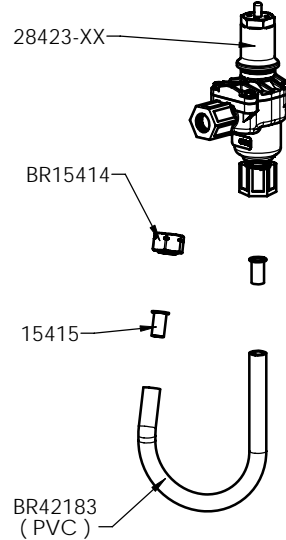
Taille GPM	S/E
1,2	BU28607-1,2
2	BU28607-2
4	BU28607-4
7	BU28607-7

BU28608-XX 2850 NBP (futur : 2870)



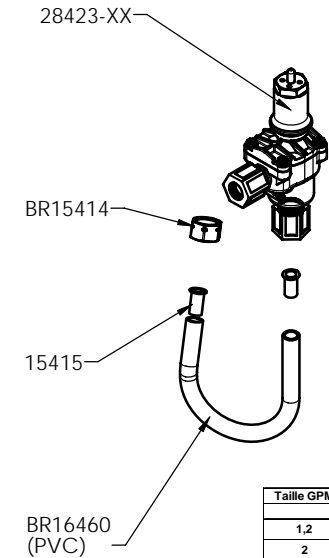
Taille GPM	S/E
1,2	BU28608-1,2
2	BU28608-2
4	BU28608-4
7	BU28608-7

BU28609-XX 2870 (remplace 2850)



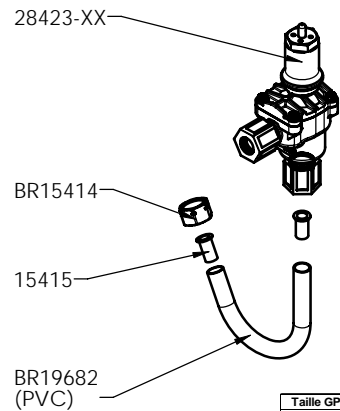
Taille GPM	S/E
1,2	BU28609-1,2
2	BU28609-2
4	BU28609-4
7	BU28609-7

BU28610-XX 2910 / 2850 2750 NBP



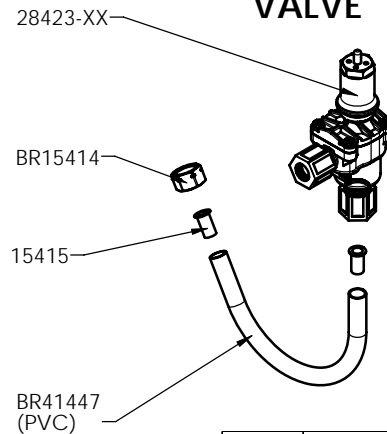
Taille GPM	S/E
1,2	BU28610-1,2
2	BU28610-2
4	BU28610-4
7	BU28610-7

BU28611-XX 2750 UP-FLOW VALVE



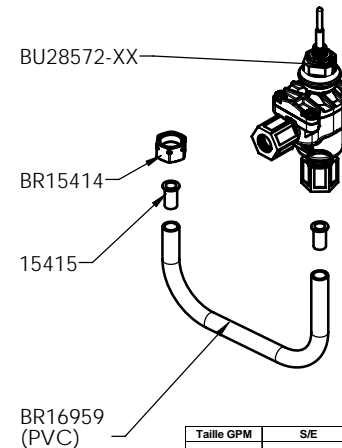
Taille GPM	S/E
1,2	BU28611-1,2
2	BU28611-2
4	BU28611-4
7	BU28611-7

BU28614-XX 2910 UP-FLOW VALVE



Taille GPM	S/E
1,2	BU28614-1,2
2	BU28614-2
4	BU28614-4
7	BU28614-7

BU28612-XX 9500



Taille GPM	S/E
1,2	BU28612-1,2
2	BU28612-2
4	BU28612-4
7	BU28612-7

THIRD ANGLE PROJECTION		DENOTES CRITICAL DIMENSION		DENOTES REVISION		CONTRIBUTIONS	
MAN	LD	X	X				
DATE	REV	BY	CHK	DATE	DESCRIPTION	BY	CHK

Pentair Water France
 145, rue de la Gare
 78132 Buc cedex
 FRANCE

BU 1710 - COLD WATER USE ONLY -
 PM-1110

1710 BRINETUBE 1710 BRINE VALVE

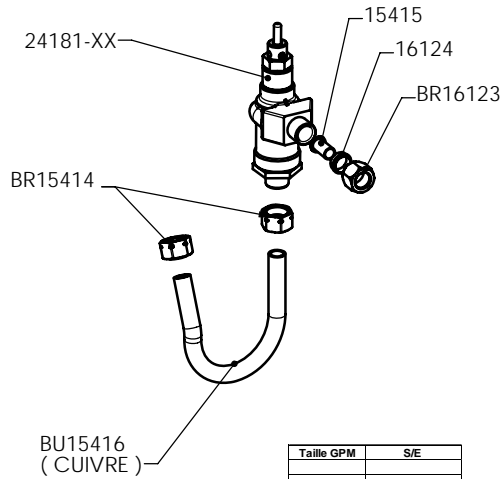
1710 BRINETUBE 1710 BRINE VALVE

1700 BV = HOT WATER USE ONLY

REVISONS				
ECN	Rev.	Description	Date (dd/mm/yy)	Approved
F4700	A	CREATION	26/03/08	MP/LD

P/N 26990-XX

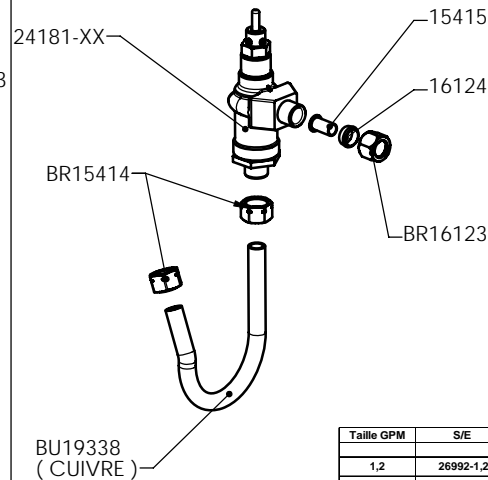
2750 VALVE



Taille GPM	S/E
1,2	26990-1,2
2	26990-2
4	26990-4
7	26990-7

P/N 26992-XX

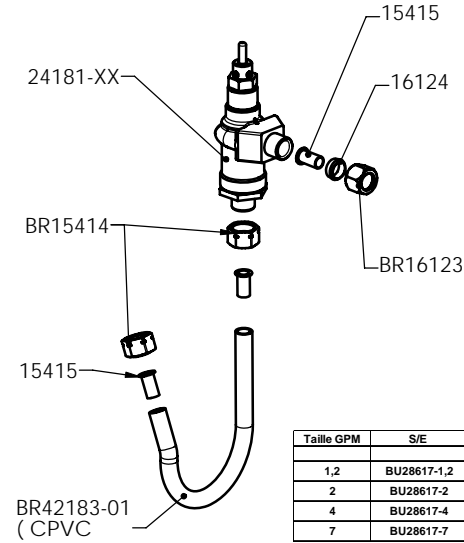
2850 NBP (futur : 2870)



Taille GPM	S/E
1,2	26992-1,2
2	26992-2
4	26992-4
7	26992-7

P/N BU28617-XX

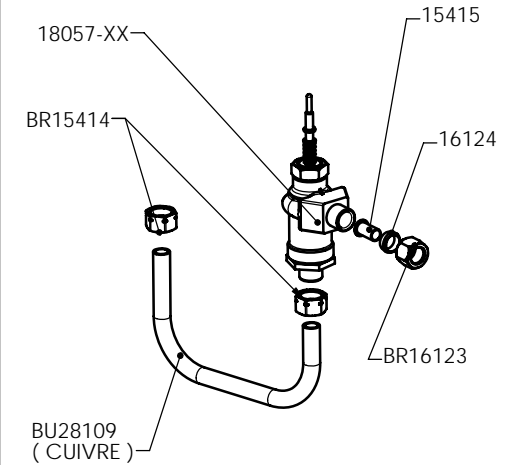
2870 (remplace 2850)



Taille GPM	S/E
1,2	BU28617-1,2
2	BU28617-2
4	BU28617-4
7	BU28617-7

P/N BU28618-XX

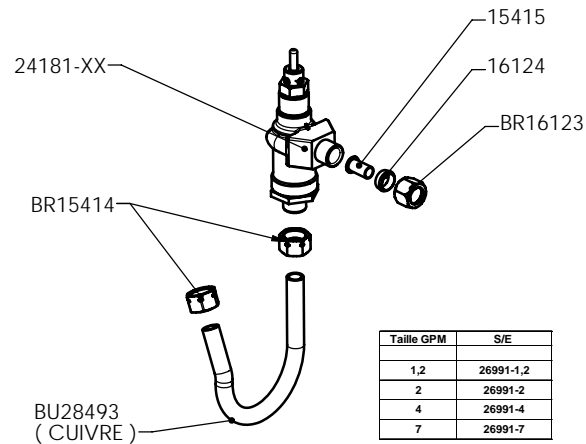
9500



Taille GPM	S/E
1,2	BU28618-1,2
2	BU28618-2
4	BU28618-4
7	BU28618-7

P/N 26991-XX

2910 / 2850 2750 NBP



Taille GPM	S/E
1,2	26991-1,2
2	26991-2
4	26991-4
7	26991-7

1700 BRINETUBE

1700 BRINE VALVE

NOTE:
THE COMPONENT PART OR ASSEMBLY DESCRIBED IN THIS DOCUMENT MUST COMPLY WITH THE FOLLOWING EU EUROPEAN UNION DIRECTIVES:
ROHS DIRECTIVE 2002/95/EEC, REACH DIRECTIVE 2002/61/EEC, AND ALL OTHER APPLICABLE DIRECTIVES. THESE DIRECTIVES RESTRICT THE USE OF LEAD, CADMIUM, MERCURY, CHROMIUM VI, PBB, AND OTHER HAZARDOUS MATERIALS. SEE THE TERMS AND CONDITIONS OF THE CONTRACT PURCHASE CHECKS FOR MORE INFORMATION.

All drawings and specifications as well as dimensions, drawings, comparisons and other information are the property of Pentair Water and are not to be used for any other purpose without the written permission of Pentair Water France.

THIRD ANGLE PROJECTION		FIRST ANGLE PROJECTION	
		<input checked="" type="checkbox"/>	<input type="checkbox"/>

DESCRIPTION	DATE	BY	CHK	APP	REV
MAN	01/10/2008				
MAN	01/10/2008				

CONFIGURATIONS	DESCRIPTION	DATE	BY	CHK	APP
1,2	BU28618-1,2				
2	BU28618-2				
4	BU28618-4				
7	BU28618-7				

CONFIGURATIONS
BV 1700 - HOT WATER USE ONLY

PM-1110